

HORI Force Feedback Truck Control System  
for Windows® PC

# Instruction Manual

Thank you for purchasing this product.  
Before use, please read the instruction manual carefully.  
After reading, please keep the manual for reference.

## Table of Contents

<b>Quick Start Guide</b> .....	2	<b>Mounting Instructions for Steering Unit and Shifter</b> .....	8 - 10
<b>Caution</b> .....	3 - 4	▶ How to mount to a table	
<b>Contents</b> .....	5	▶ Foot Pedal	
<b>Compatibility</b> .....	5	▶ How to mount to a racing wheel stand	
<b>Layout and Features</b> .....	6 - 7	<b>How to Connect</b> .....	11
▶ Steering Unit / Foot Pedal		<b>Mode Toggle</b> .....	12
▶ Shifter		<b>App [ HORI Device Manager Vol.2 ]</b> .....	13
		<b>Specifications</b> .....	13



### ◀ **Compatible Software**

<https://stores.horiusa.com/hpc-044U/compatibility/>



**Please make sure to install the latest dedicated driver to your PC before using this product.**

<https://stores.horiusa.com/hpc-044U/app/>



# Quick Start Guide

EN  
FR  
ES  
DE  
IT  
NL  
PT

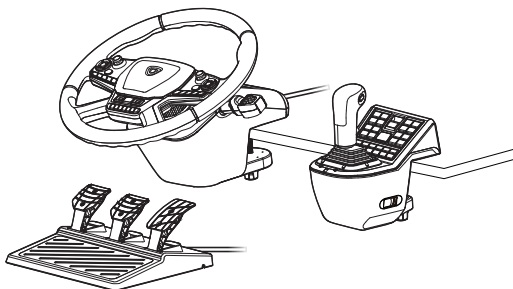


Please make sure to install the latest dedicated driver to your PC before using this product.

<https://stores.horiusa.com/hpc-044U/app/>



## 1 Mount the steering unit, shifter, and foot pedal onto a flat, stable surface.



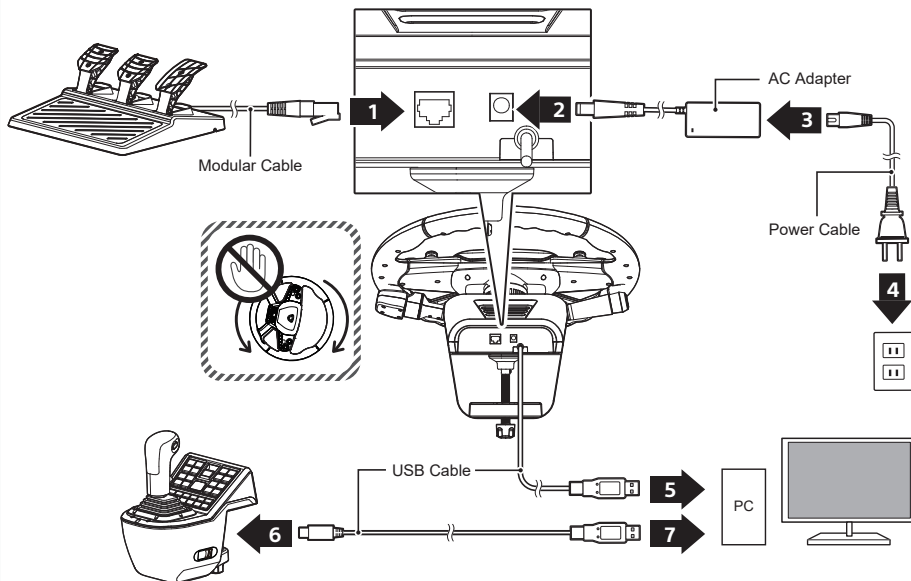
How to mount to a table

⇒ p.8 - 9

How to mount to a racing wheel stand

⇒ p.10

## 2 Connect all of the cables accordingly.



How to Connect

⇒ p.11



# Caution

EN

FR

ES

DE

IT

NL

PT

## Please read the following information carefully.

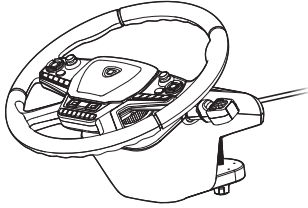
- Only use the included AC adapter and power cable.
- Do not plug the AC adapter and power cable into an outlet with incorrect voltage.
- Do not use the AC adapter or power cable if it is damaged, frayed, or broken.
- Ensure that the AC adapter and power cable are completely plugged into the outlet.
- Unplug the AC adapter and power cable from the outlet when the product is not in use.
- Do not block the air vents of the steering wheel unit.
- Keep the steering wheel at least 4 inches (10 cm) away from the wall.
- Keep the air vents of the steering wheel unit clear of dust.
- Avoid long gameplay and try to take a 10 - 15 minute break every hour.
- If your hands, wrists, feet, or other parts of your body feel tired or sore, stop playing the game and take a break for few hours.  
If symptoms continue, stop gameplay and consult your doctor.
- Keep your fingers away from the foot pedals during gameplay.
- Do not place your hands or arms near the rotating base of the steering wheel during gameplay.

# Parents / Guardians:

## Please read the following information carefully.

- This product contains small parts. Keep away from children under 3 years old.
- Keep this product away from small children or infants. Seek medical attention immediately if any small parts are swallowed.
- Long cord. Strangulation hazard.
- Keep the product away from dusty or humid areas.
- Do not use this product if it has been damaged or modified.
- Do not cover product with cloth. Doing so may cause overheating.
- Please do not touch with wet hands. This may cause electric shock.
- Do not use this product when there is a risk of lightning storm to avoid fire, electric shock, or malfunction.
- Do not get this product wet. This may cause an electric shock or malfunction.
- Do not place this product near heat sources or leave under direct sunlight for an extended period. Overheating may cause malfunction.
- Do not use this product with a USB hub or extension cable. The product may not function properly.
- Do not insert the USB plug into socket-outlets.
- Do not touch the metal parts of the USB plug.
- Do not apply strong impact or weight on the product.
- Do not pull roughly or bend the cable of the product.
- Do not disassemble, modify or attempt to repair this product.
- If product needs cleaning, use only a soft dry cloth. Do not use any chemical agents like benzene or thinner.
- The packaging must be retained since it contains important information.
- Please retain this instruction manual for your future reference.
- The normal function of the product may be disturbed by strong electro-magnetic interference. If so, simply reset the product to resume normal operation by following the instruction manual (How to Connect). In case the function does not resume, please relocate to an area which does not have electro-magnetic interference to use the product.
- Do not use this product for anything other than its intended purpose. We are not responsible for any accidents or damages in the event of use other than the intended purpose.

# Contents



Steering Unit × 1



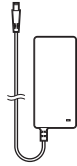
Shifter × 1



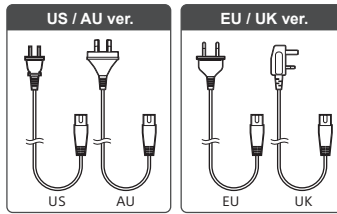
Foot Pedal × 1



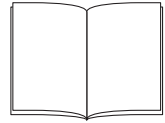
USB Cable  
(USB-A to USB-C™) × 1



AC Adapter × 1



Power Cable (2 types) × 2



Instruction Manual × 1

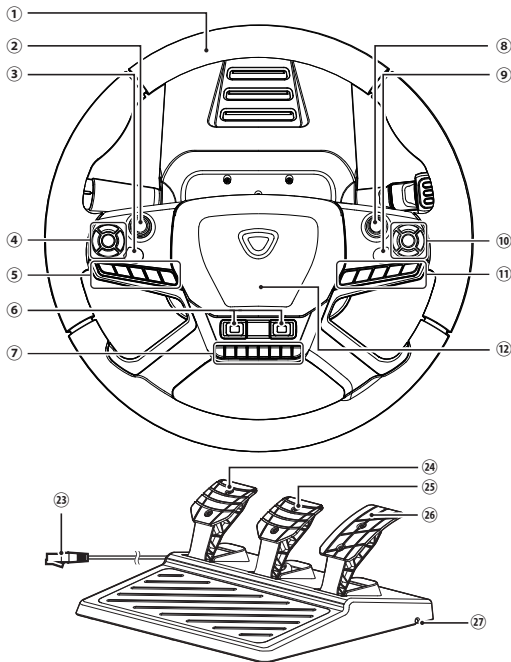
# Compatibility

## PC (DirectInput)

Supported OS	Windows®11 / 10
Input Method	DirectInput*
System Requirements	USB-A Port

\*Functions as PC controller through DirectInput. This product does not support XInput.

EN  
FR  
ES  
DE  
IT  
NL  
PT

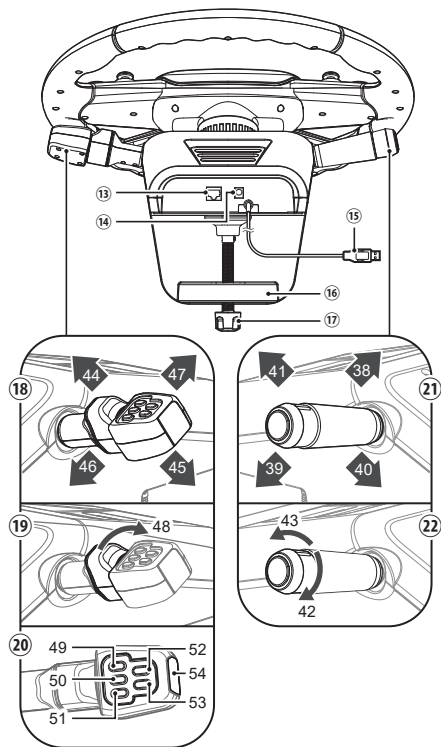


## Steering Unit

- ① ... Steering wheel
- ② ... L Stick (Button 8)
- ③ ... Button 10
- ④ ... Steering Button B (Directional buttons, Button 6)
- ⑤ ... Steering Button D (Button 12 - 16)
- ⑥ ... Steering Button E (Button 22 - 29)
- ⑦ ... Steering Button F (Button 30 - 37)
- ⑧ ... R Stick (Button 9)
- ⑨ ... Button 11
- ⑩ ... Steering Button A (Button 1 - 5)
- ⑪ ... Steering Button C (Button 17 - 21)
- ⑫ ... Horn Button (Button 7)

## Steering Unit (Back View)

- ⑬ ... Foot Pedal Connection
- ⑭ ... AC Adapter Connection
- ⑮ ... USB-A Connector
- ⑯ ... Clamp

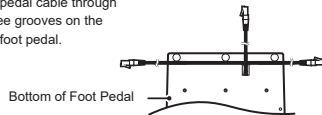


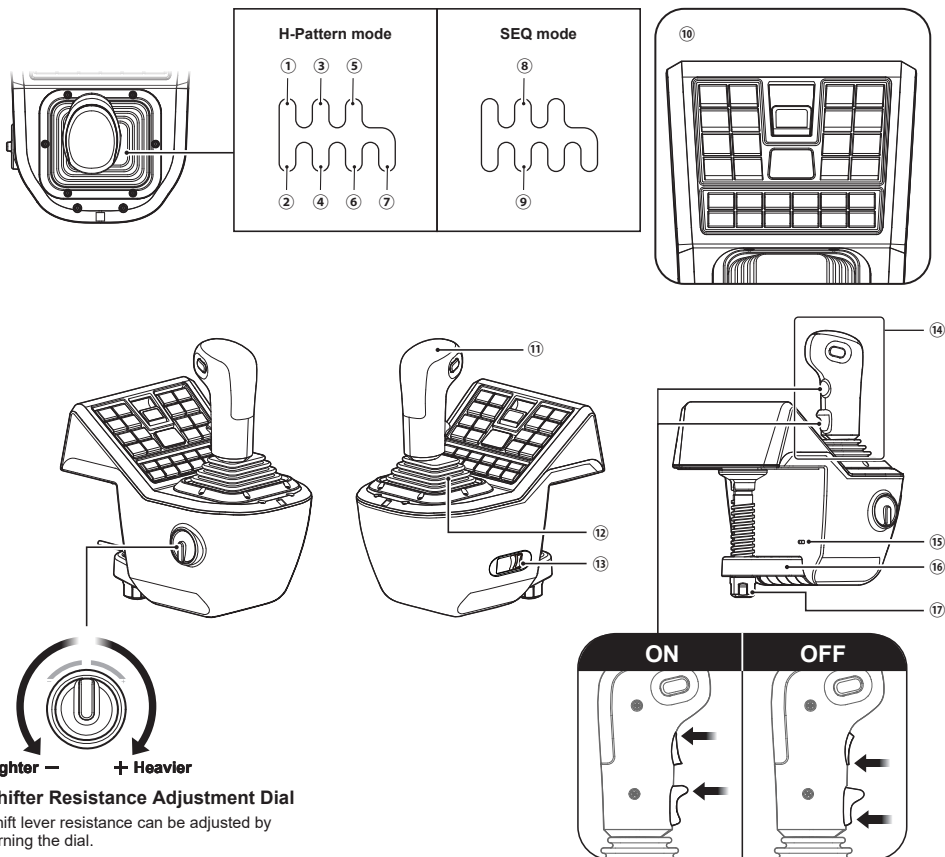
- ⑰ ... Screw
- ⑱ ... R Lever (Button 44 - 47)
- ⑲ ... R Lever (Button 48)
- ⑳ ... R Lever Button (Button 49 - 54)
- ㉑ ... L Lever (Button 38 - 41)
- ㉒ ... L Lever (Button 42 - 43)

## Foot Pedal

- ㉓ ... Modular Plug
- ㉔ ... Clutch Pedal
- ㉕ ... L Pedal
- ㉖ ... R Pedal
- ㉗ ... Cable Groove

Slide the foot pedal cable through any of the three grooves on the bottom of the foot pedal.





**Lighter — + Heavier**  
**Shifter Resistance Adjustment Dial**  
 Shift lever resistance can be adjusted by turning the dial.

### Shifter

### Shifter (Right Side)

- ① ... 1st Gear (Button 1)
- ② ... 2nd Gear (Button 2)
- ③ ... 3rd Gear (Button 3)
- ④ ... 4th Gear (Button 4)
- ⑤ ... 5th Gear (Button 5)
- ⑥ ... 6th Gear (Button 6)
- ⑦ ... Reverse Gear (Button 7)
- ⑧ ... Shift Down (Button 8)
- ⑨ ... Shift Up (Button 9)
- ⑩ ... Shifter Buttons (Buttons 10 - 39)

- ⑪ ... Shift Knob
- ⑫ ... Shifter Boot
- ⑬ ... Mode Toggle Switch

### Shifter (Rear)

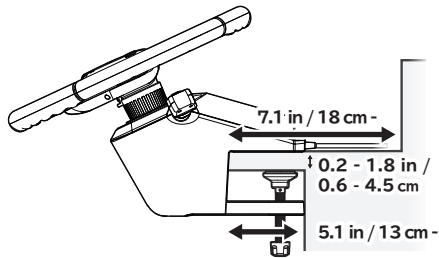
- ⑭ ... Shifter Buttons (Buttons 40 - 43)
- ⑮ ... USB-C™ Port
- ⑯ ... Clamp
- ⑰ ... Screw

# Mounting Instructions for Steering Unit and Shifter

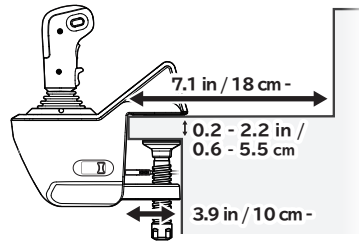
## How to mount to a table

Flat, hard surface required (i.e., table)

### Steering Unit

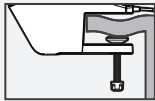


### Shifter

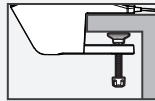


### Please read before setup

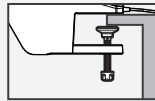
- ⚠ Tighten the clamp into the steering unit base with the screw.
- ⚠ Carefully detach from furniture to prevent damage to furniture or product.
- ⊘ Do not attach to any unstable surface as shown in the diagram below.



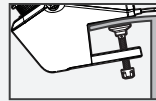
Uneven



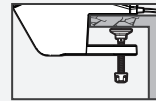
Too thick



Shallow clamp grip



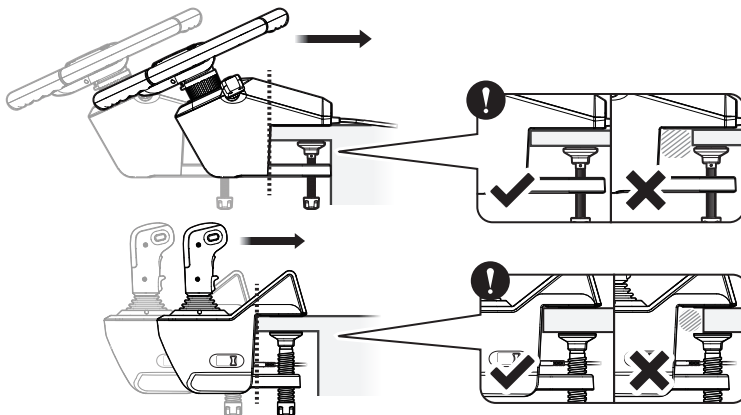
Thin or soft



Fragile (i.e., glass)

1

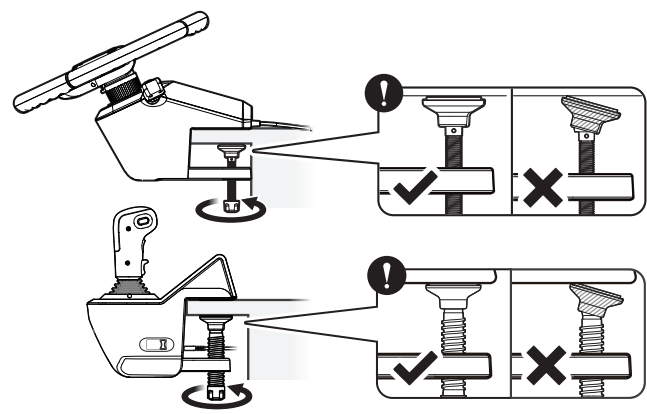
Place the clamp around a table or other mounting surface and push the clamp all way in so the edge of the mounting surface is touching the inside end of the clamp.



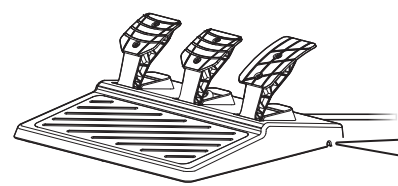


2

Rotate the screw clockwise while supporting the steering unit / shifter and firmly secure in place.



### ■ Foot Pedal



● **Cable Groove**

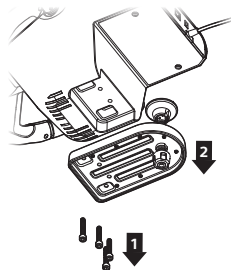
Slide the foot pedal cable through any of the three grooves on the bottom of the foot pedal.

Bottom of Foot Pedal

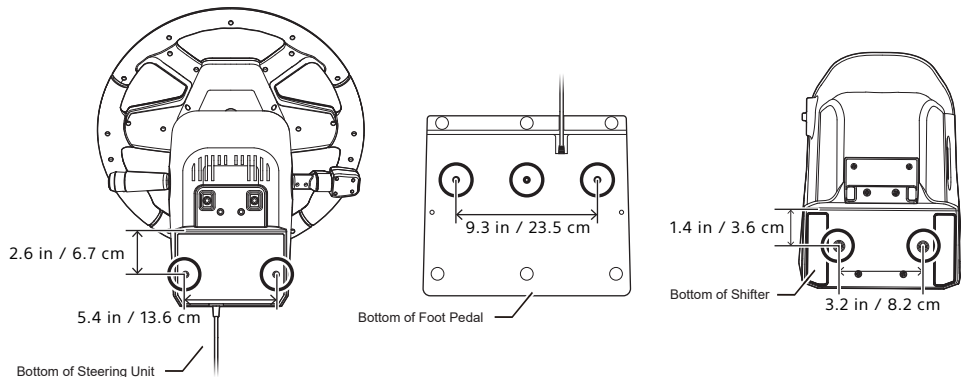
# How to mount to a racing wheel stand

- M6 screws, hex key, and racing wheel stand required.
- M6 screws, hex key, and racing wheel stand are not included with this product.

- 1** Remove the screws before removing the clamp.
- Use a hex key to remove the screw.
  - Hex key not included.
  - Secure the screws tightly when attaching the clamp.

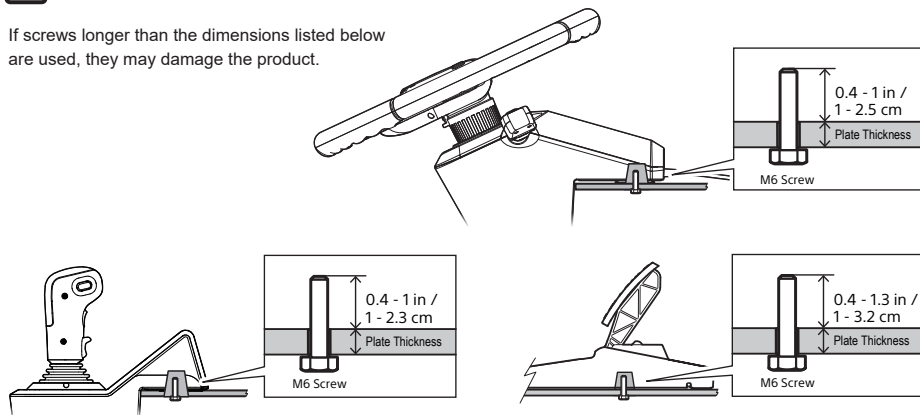


- 2** Screw the M6 screws into the holes at the bottom of your steering unit / shifter / foot pedal.



## The M6 Screws

If screws longer than the dimensions listed below are used, they may damage the product.



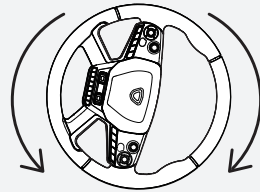
## Please read before connecting

**⚠ The steering wheel will rotate when it is connected.**

When connected and the PC turns on, the steering wheel will automatically rotate in both directions in order to calibrate.\*

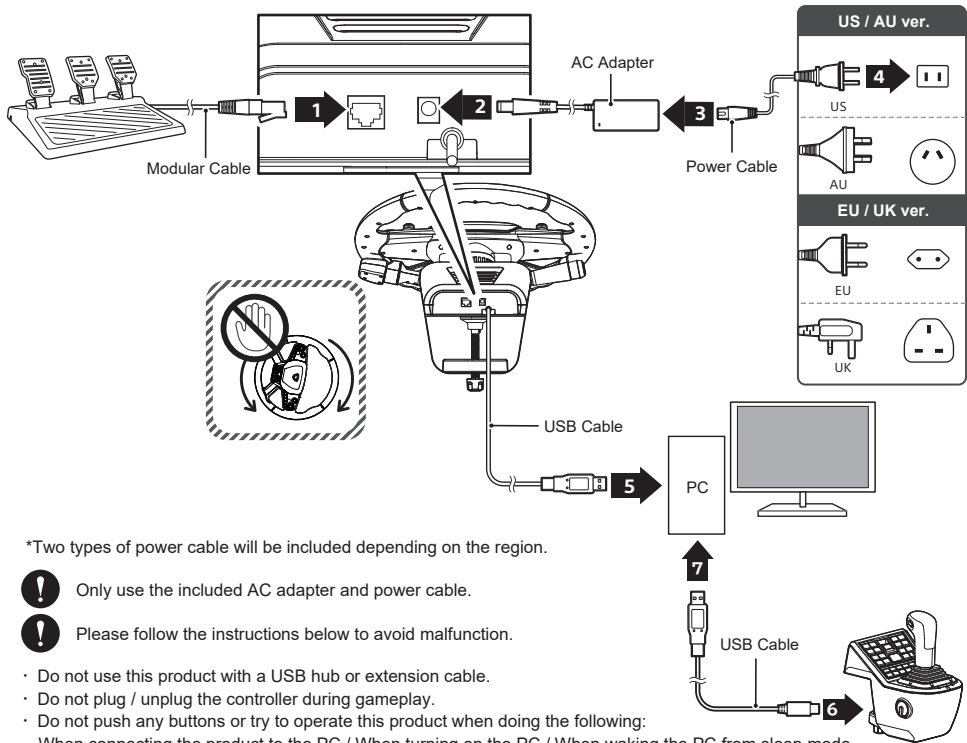


Please do not touch the wheel or allow cables to be tangled during this calibration. There is a risk of injury or improper calibration.



\*The steering wheel may be slightly off center after calibration but please note that this will not affect functionality.

Connect as shown in the image below:



\*Two types of power cable will be included depending on the region.



Only use the included AC adapter and power cable.

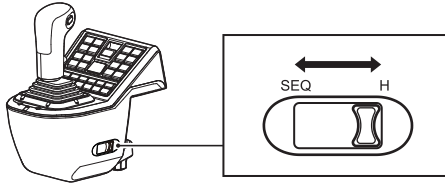


Please follow the instructions below to avoid malfunction.

- Do not use this product with a USB hub or extension cable.
- Do not plug / unplug the controller during gameplay.
- Do not push any buttons or try to operate this product when doing the following:  
When connecting the product to the PC / When turning on the PC / When waking the PC from sleep mode
- Analog stick input is disabled during a steering wheel rotation to prevent unintentional operation. The analog stick settings can be changed in the companion app.

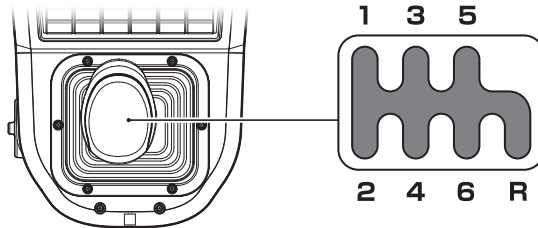
## Mode Toggle

Switch between H-Pattern and Sequential shifting with the Mode Toggle Switch.



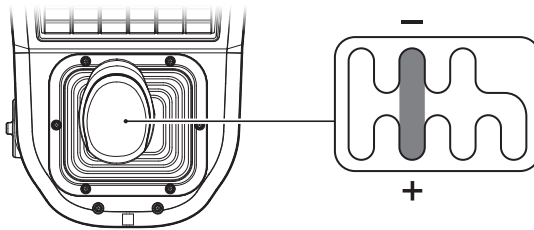
### H-Pattern Mode

H-Pattern for gear 1 through 6 and R (Reverse).

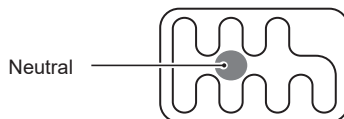


### SEQ Mode (Sequential Mode)

Allows forward and backward sequential shifting.



Make sure the shift lever is in the neutral position when switching to the SEQ mode.



## App [ HORI Device Manager Vol.2 ]

Customize the racing wheel sensitivity, dead zone and other settings using the companion app.

### ■ Download App

<https://stores.horiusa.com/hpc-044U/app/>

Supported OS	Windows®11 / 10
System Requirements	USB-A Port, Internet Connection



### Specifications

#### Steering Unit

External Dimensions : W 15.7 × D 17.7 × H 13.4 in  
/ W 40 × D 45 × H 34 cm

Steering Diameter : 15.8 in / 40 cm

Degrees of Rotation : 1800°

Weight : 7.5 lbs / 3.4 kg

Connection Type : USB-A Connector

Cable Length : 9.8 ft / 3 m

Mountable Surface Thickness : 0.2 - 1.8 in / 0.6 - 4.5 cm

#### Shifter Unit

External Dimensions : W 6.3 × D 9.1 × H 10.6 in  
/ W 16 × D 23 × H 28 cm

Weight : 3.1 lbs / 1.4 kg

Connection Type : USB-A Connector

Cable Length : 6.6 ft / 2 m

Mountable Surface Thickness : 0.2 - 2.2 in / 0.6 - 5.5 cm

#### Foot Pedal

External Dimensions : W 13.4 × D 11.8 × H 6.3 in  
/ W 34 × D 30 × H 16 cm

Weight : 3.1 lbs / 1.4 kg

Connection Type : Modular Connector

Cable Length : 5.9 ft / 1.8 m

For more information  
please visit this website.

<https://stores.horiusa.com/hpc-044U/>



Need help with this  
product? Please visit  
this website for support.

<https://stores.horiusa.com/hpc-044U/support/>



**CAUTION:**

Any changes or modifications not expressly approved by the party responsible for compliance could void the user's authority to operate the equipment.

**THE FCC WANTS YOU TO KNOW**

This device complies with part 15 of the FCC Rules. Operation is subject to the following two conditions:

(1) This device may not cause harmful interference, and (2) this device must accept any interference received, including interference that may cause undesired operation.

**NOTE:**

This equipment has been tested and found to comply with the limits for a Class B digital device, pursuant to part 15 of the FCC Rules. These limits are designed to provide reasonable protection against harmful interference in a residential installation. This equipment generates, uses and can radiate radio frequency energy and, if not installed and used in accordance with the instructions, may cause harmful interference to radio communications. However, there is no guarantee that interference will not occur in a particular installation. If this equipment does cause harmful interference to radio or television reception, which can be determined by turning the equipment off and on, the user is encouraged to try to correct the interference by one or more of the following measures:

- Reorient or relocate the receiving antenna.
- Increase the separation between the equipment and receiver.
- Connect the equipment into an outlet on a circuit different from that to which the receiver is connected.
- Consult the dealer or an experienced radio/TV technician for help.

**CAN ICES-003(B) / NMB-003(B)**

This Class B digital apparatus complies with Canadian ICES-003.

Cet appareil numérique de la classe B est conforme à la norme NMB-003 du Canada.

**Simplified Declaration of Conformity**

Hereby, HORI declares that this product is in compliance with Directive 2014/53/EU.

The full text of the EU declaration of conformity is available at the following internet address:

<https://hori.co.uk/consumer-information/>

**For UK:**

Hereby, HORI declares that this product is in compliance with the relevant statutory requirements.

The full text of the declaration of conformity is available at the following internet address:

<https://hori.co.uk/consumer-information/>

**PRODUCT DISPOSAL INFORMATION**

Where you see this symbol on any of our electrical products or packaging, it indicates that the relevant electrical product or battery should not be disposed of as general household waste in Europe. To ensure the correct waste treatment of the product and battery, please dispose of them in accordance with any applicable local laws or requirements for disposal of electrical equipment or batteries. In so doing, you will help to conserve natural resources and improve standards of environmental protection in treatment and disposal of electrical waste.



HORI warrants to the original purchaser that our product purchased new in its original packaging shall be free of any defects in both material and workmanship for a period of one year from the original date of purchase. If the warranty claim cannot be processed through the original retailer, please contact HORI customer support.

For customer support in North America and Latin America, please use our customer support form:

<https://stores.horiusa.com/contact-us/>



For customer support in Europe, please email [info@horiuk.com](mailto:info@horiuk.com)

**Warranty Information:**

For North America, LATAM, Australia : <https://stores.horiusa.com/policies/>



For Europe & Middle East : <https://hori.co.uk/policies/>



- Actual product may differ from image.
- The manufacturer reserves the right to change the product design or specifications without notice.
- USB-C is a registered trademark of USB Implementers Forum.
- HORI & HORI logo are registered trademarks of HORI.
- All other trademarks are the property of their respective owners.